



## Power supply XF100

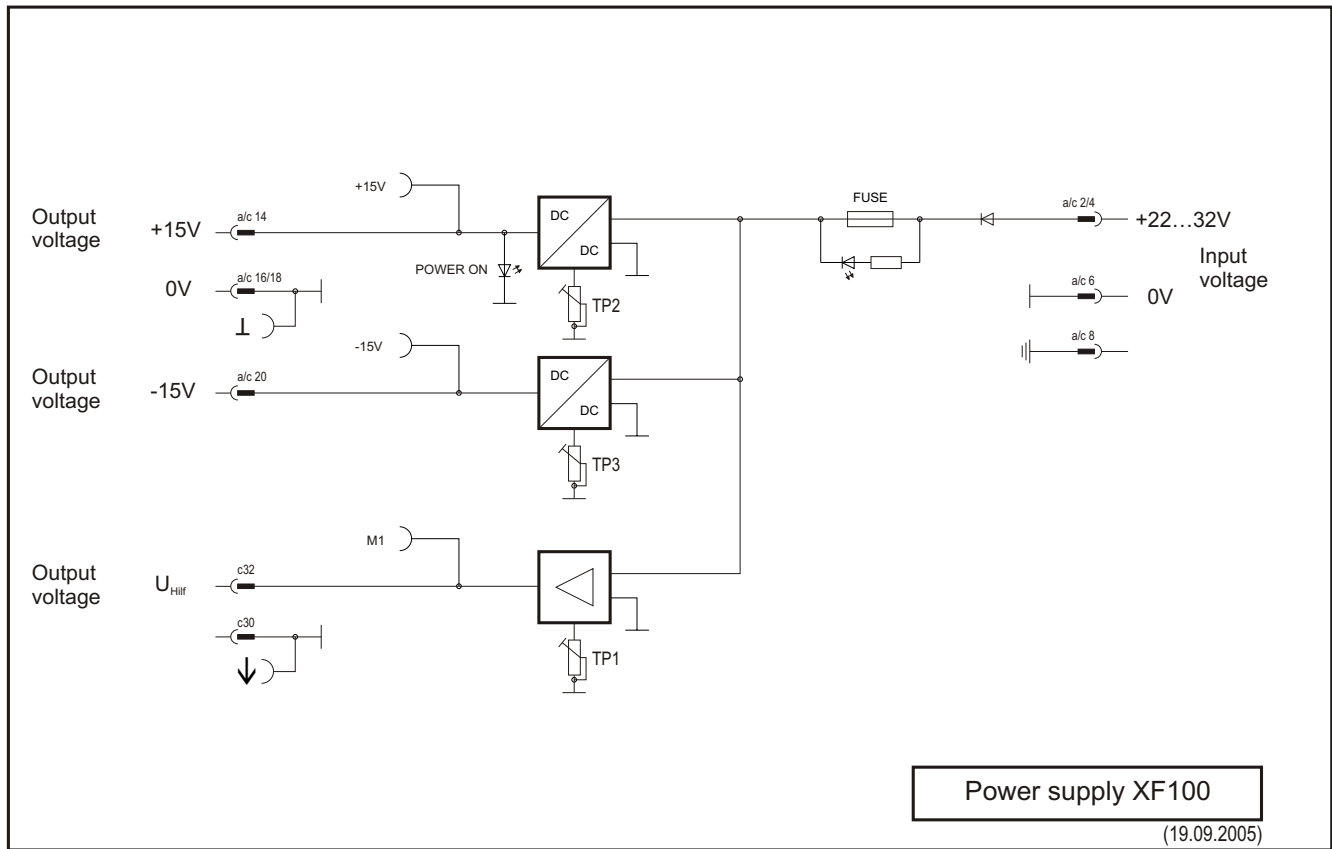
**The XF100 is a power supply unit, which generates a dual voltage  $\pm 15V$  DC from a single voltage 24V DC to supply installations and systems e.g. analogues units, position encoders...**

Additional an auxiliary voltage is available, which is pre-adjusted by +24V DC and dependent to the input voltage.

### Features:

- 3 output voltages
- test jacks at the front panel
- LED indications for "POWER ON" and "FUSE"
- Wide input voltage range

# Power supply XF100



## Technical data:

Dimensions	Europe card size 160mm x 100mm
Overall dim.	40,5mm x 128,7mm x 189,7mm (WxHxD) Front panel 3HE x 8TE
Connection	32 pin connector DIN41612 D32
Input voltage	24V DC (22...32V DC)
Output voltage	+15V DC, 1500mA -15V DC, 1500mA  $U_{Hiff}$ , 50mA (dependent to the input voltage, max. $U_b$ -3V)
Test jacks	for all output voltages (+15V, -15V, M1)